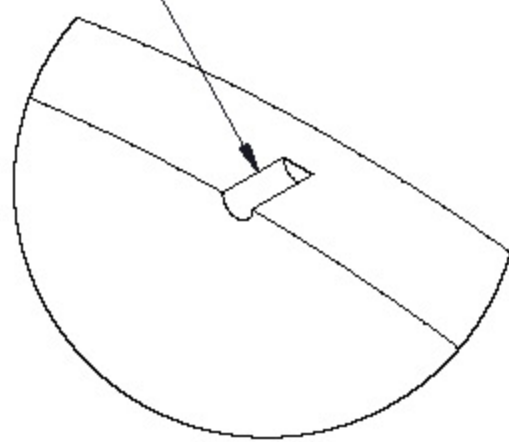
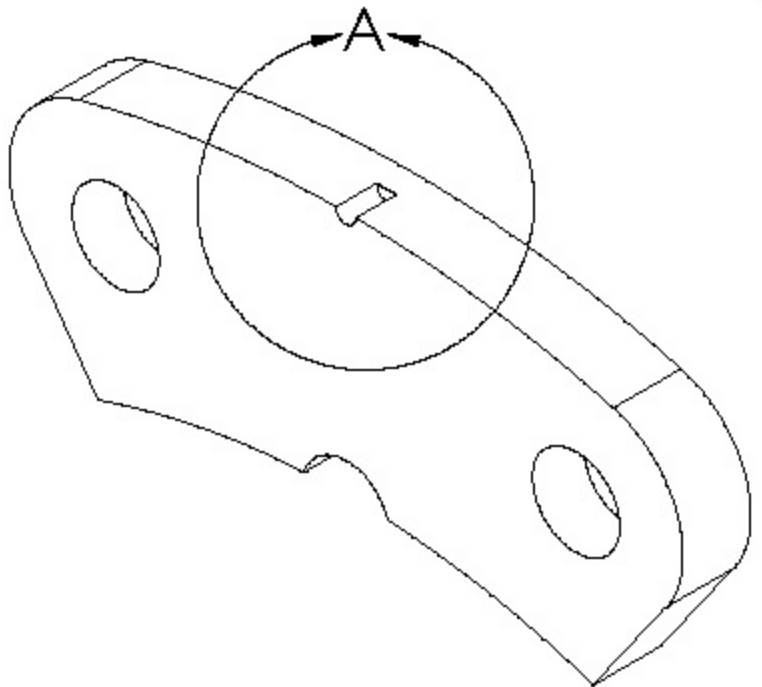


1


Lining requires replacement when wear indicator is worn flush and no longer visible



DETAIL A
SCALE 3 : 1



Wear Indicator may be on Top or Side of Lining

MATCO mfg 550W 3615 South Salt Lake City, Utah 84115 USA		NOMENCLATURE LINING, WEAR INDICATOR		PART NUMBER VARIES		SCALE 1:1		TOLERANCES (EXCEPT AS NOTED)		
		MATERIAL VARIES		DRAWING NO. BRAKE/WEAR_IND		REVISION NC		Est Wt. (in) 0.05		DO NOT SCALE DRAWING
DRAWN BY George R. Hopp		FINISH NONE		DATE 3/21/2006		CHECKED BY		SHEET 1 OF 1 SHEET SIZE A		LINEAR .XX - + .03 .XXX - + .01 ANGULAR + 1/2 CONCENTRIC + .01