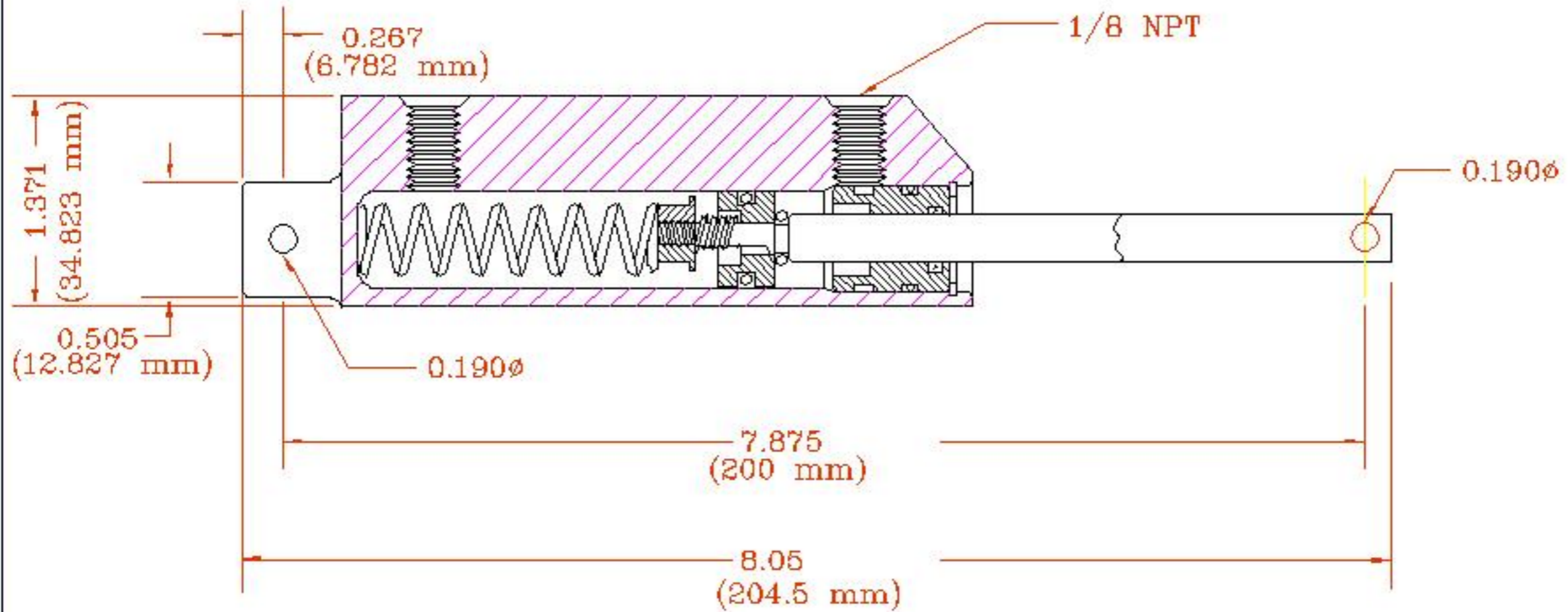


NOTE:

TRAVEL: 1.50 (38.10 mm)



MATECO mfg
550W 3615 South

(801) 486-7574
S.L.C. UT., 84115

DRAWING TITLE: **MC-4F(R,L,S)**
FILE NAME: CM-SB

DRW. BY: MY KIM
DATE: MAY 25, 1988

SCALE: 1=1
CHK. BY: SHEET # 1 OF 1
REVISION 1