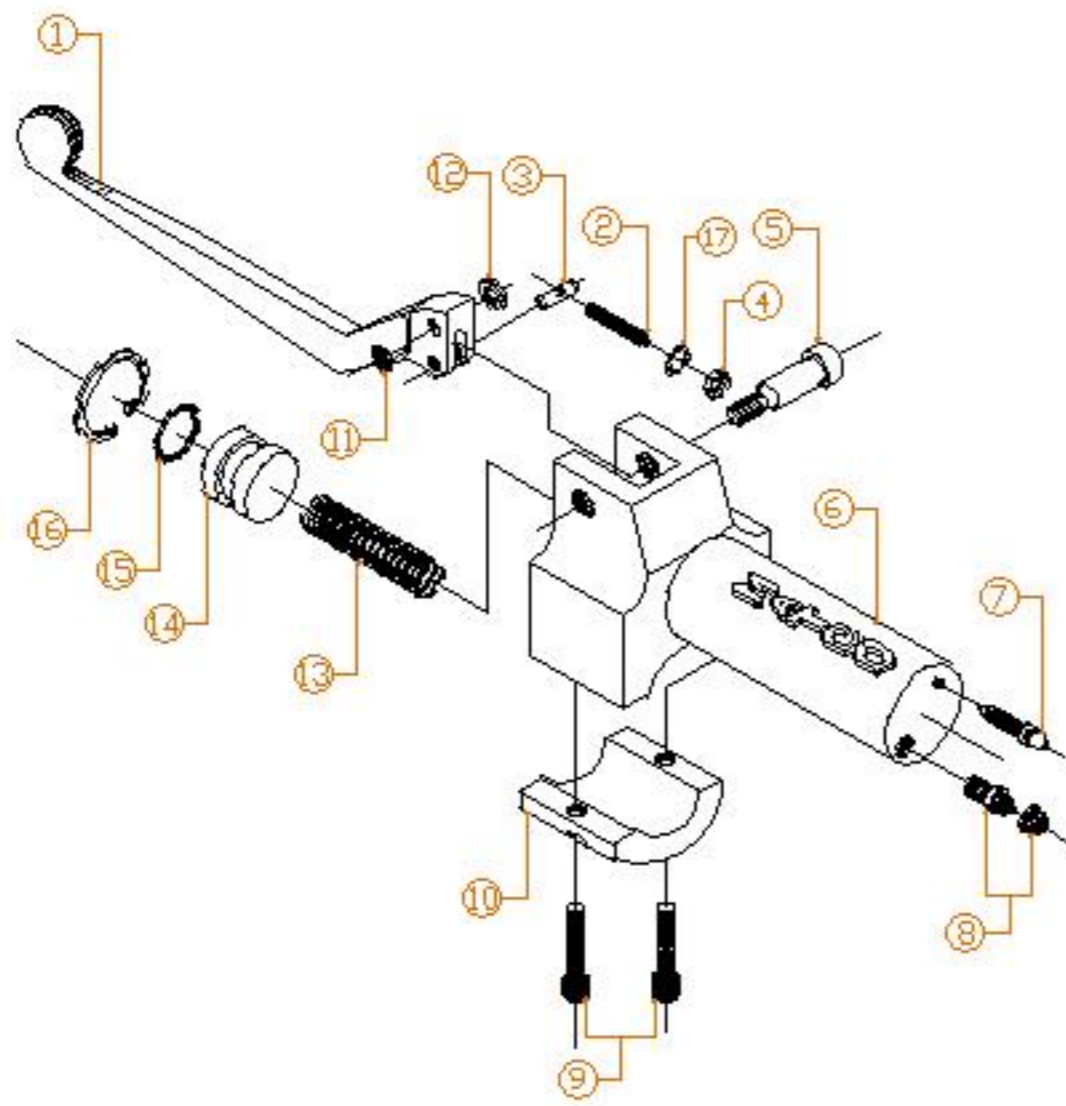


USE M1-H-5606 Hydraulic Fluid



NO.	INVENTORY NO.	PART NAME	REQ'D
1	MC6-1	ACTUATOR LEVER	1
2	B-22X1.125	ROCKET SET SCREW	1
3	.25-1.650PM	ROTATOR PIN	1
4	B-32SCREWNUT	SCREW MACHINE NUT	1
5	.25X.75HB	.25 I .75 SHOULDER BOLT	1
6	MC6H(A)	HOUSING, MC-6	1
7	FB446-007	BRAKE BLEEDER VALVE	1
8	286P	STRAIGHT FITTING	1
9	10-24X.753HCS	SOCKET HEAD CAP SCREW	2
10	MC6-2	CLAMP	1
11	AN980-10L	WASHER	1
12	AN980-416L	WASHER	1
13	1C-042T-9	SPRING	1
14	MC6P.75	PISTON	1
15	2-115	O-RING BUTA N	1
16	8000-X75	SNAP RING	1
17	8000-1B7	SNAP RING	1

WATCO (801) 488-7574
 550W 3615 South S.L.C. UT., 84115

DRAWING TITLE: MC-6 MASTER CYLINDER
 FILE NAME: 180-M6

DRW. BY: MY KIM SCALE:
 DATE: MARCH 18, 1984
 SHEET 1 OF 1