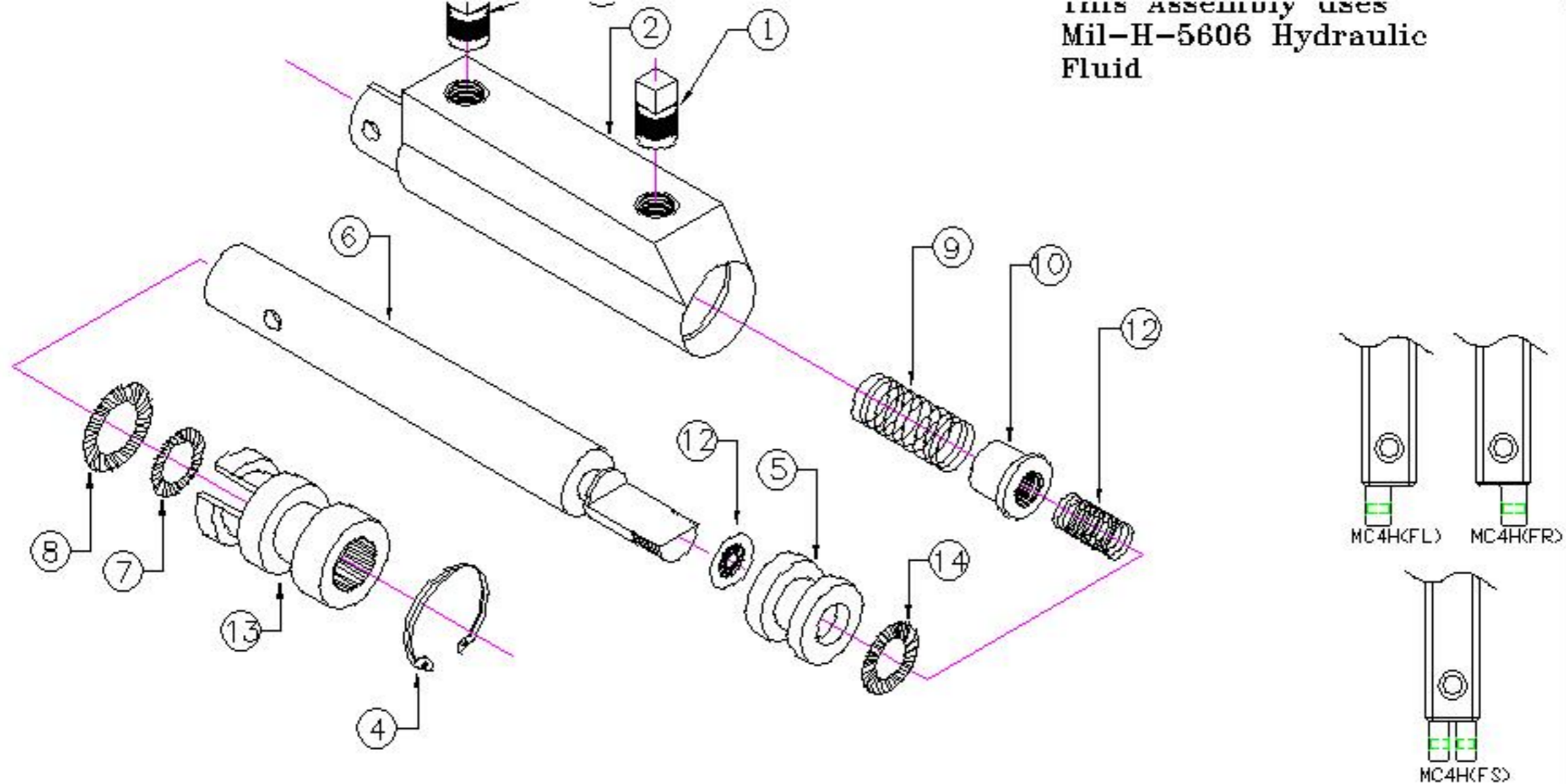


This Assembly Uses
Mil-H-5606 Hydraulic
Fluid



NO.	PART NAME	INVENTORY NO.	REQ'D	NO.	PART NAME	INVENTORY NO.	REQ'D
1	THREADED PLUG	P-18	2	11	VALVE SPRING	C0300-026-0440M	1
2	MC4-F(R,L,S) HOUSING	MC4H(FR,L,S)	1	12	STATO SEAL	600-0101-10	1
3				13	END GLAND	MC4-2	1
4	SNAP RING MC-4	3000-X68	1	14	O-RING BUNA N	2-111	1
5	PISTON	MCP.625(B)	1				
6	SHAFT, MC-4E	MC4E-1	1				1
7	O-RING BUNA N	2-012	1				
8	O-RING BUNA N	2-112	1				
9	SPRING	C0480-055-3000M	1				
10	SPRING GUIDE	MC-16	1				

MATCO mfg (801) 486-7574 DRAWING TITLE: **MC-4F(R,L,S)** DRW. BY: MY KIM SCALE:
 550W 3615 South S.L.C. UT., 84115 FILE NAME: MC4-ISO DATE: JULY 20, 1993 CK. BY: SHEET 1 OF 1 REVISION A