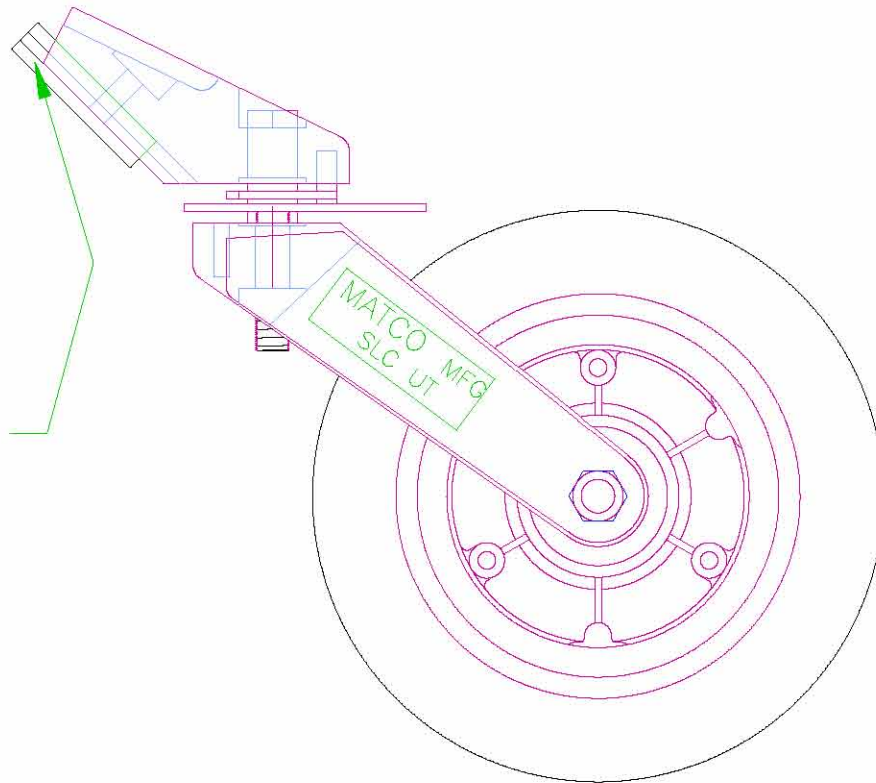


TWB-1 Spring Adapter Mounts
With longer portion Above Bolt
As Shown. Opposite Installation
Will Interfere With Pivoting



PART NO.	TWB-1 INSTALLATION
MATERIAL	VARIOUS
DATE	October 11, 2004
SCALE	1=3
FILENAME	C:\ACAD\TAIL\TWHEAL8

MATCO mfg

2361 S 1560 West

WOODS CROSS, UT 84087 (801) 335-0582